



PARKWOOD
COMMERCIAL

GARRISON DOORSET SPECIFICATION GUIDE

ALUMINIUM HEAVY-DUTY DOORS AND FRAMES



GARRISON
ALUMINIUM DOORS

ABOUT GARRISON DOORSETS

Parkwood's Garrison door sets are heavy duty, commercial doors hung in robust box frames. They feature a full skin to each side, and are constructed entirely from aluminium.

Alternative door panels to be hung in Garrison frame include full louvre panels (ideal for plant room doors) and fiberglass Duramax panels.

A range of customisation is available including powder coat colours, hardware, vision panel options and louvre panel options.

Various frame options are available with different depths and flange configurations to suit particular wall constructions.

TABLE OF CONTENTS

| | |
|--|---|
| Garrison Doorset Specifications | 3 |
| How to Specify Garrison Doorsets | 4 |
| Door Schedule Wording | 4 |
| Garrison Hinge Layout | 5 |
| Door Panel Options | 6 |
| Standard Vision Panel and Louvre Sizes | 6 |
| Frame Options | 7 |
| Entro Hardware Options | 8 |
| Drawings | 9 |

MORE INFORMATION

For further information visit <https://parkwooddoors.co.nz/specifier-library/> to find the following:

- CAD Files (Revit, AutoCad, dwg, PDF)
- Installation Documents
- Masterspec Links

GARRISON DOORSET SPECIFICATIONS

Doorset

- Max door leaf size 2950 x 1450mm
- 100% aluminium, no timber or polystyrene
- Flush construction with no capping's or protruding extrusions
- Available with different glazing and louvre configurations
- Powder coated to standard Dulux and Interpon colours. Other colours available on request
- Go to <https://parkwooddoors.co.nz/door-finish/> to see the full range of standard powder coats
- Anti Jemmy strips available for enhanced security
- Louvre grilles available for ventilation
- Standard with under-door wiper seal (Raven RP130 or equivalent)

Glazing

- All glazing is wet sealed in our factory for highest protection against water ingress
- Glazing cannot be replaced on site
- Double glazing as standard, with 5mm toughened exterior pane and 4mm toughened exterior pane
- Full range of clear, translucent, etchlite and tinted glass available
- Total IGU thickness 23mm
- Other glazing configurations available on request

Hardware

- Hung with Parkwood Commercial Lift-Off Hinges (available as non lift off)
- Most commercial hardware (Dormakaba, Allegion, Schlage, Lockwood etc) can be used with Garrison Doorsets, however Parkwood prefer to use Entro Hardware
- Stainless steel sheet or aluminium treadplate kickplates can be fitted to Garrison door sets to prevent scratching of the door leaf
- Kickplates are available in a range of heights and to the interior, exterior or both faces

HOW TO SPECIFY GARRISON DOORSETS

Specification Text:

PA egress doors: powder coated Parkwood Garrison aluminium FLOO door fitted with Raven seal RP130si, hung in Garrison 75mm/100mm [delete 1] box frame with/without flange [delete 1].

- As per Masterspec 4576PD Parkwood Commercial Personnel Doors
- Parkwood powder coated to any Dulux or Interpon architectural powder coat colour.

[If door needs grill or vision panel within it, select option below and remove others]

- Door to have vision panel as per FL5/FL8
- Door to have grill as per FL2/FL4
- Door to have vision panel and grill as per FL54/FL84
- Door to be full louvre CL5

[delete which additional options are not required]

- 4 hinges for doors up to 2200mm, 5 hinges for doors up to 3000mm high.
- Anti-jemmy strip to lock stile [delete if not required]
- Full stainless steel 304 skins to each face [delete if not required]
- Fitted with Parkwood Entro commercial hardware:
- Handle/lock: Entro Classroom Lock Kit Cyl/Plain
- Door closer: Entro Standard Arm Door Closer Size 2-5
- Stainless Steel kick plates SS304 (300mm high Pair)

DOOR SCHEDULE WORDING

| FIELD | SPECIFICATION TEXT [DELETE NON APPLICABLE OPTIONS] |
|----------------|--|
| DOORSET | PARKWOOD ALUMINIUM GARRISON FLUSH DOORSET |
| FRAME TYPE | PARKWOOD ALUMINIUM GARRISON [75 BOX / 75 FLANGED / 100 BOX / 100 FLANGED / 140 FLANGED] |
| DOOR TYPE | PARKWOOD ALUMINIUM GARRISON [FL00 / FL05 / FL08 / FL04 / FL02 / FL54 / FL84 / CL1 / CL5] |
| DOOR SKINS | DOOR SKINS TO BE [POWDERCOATED ALUMINIUM / BRUSHED STAINLESS STEEL] |
| FINISH | POWDERCOATED WITH [DULUX / INTERPON] POWDERCOAT IN [COLOUR] |
| KICKPLATES | KICKPLATES IN [STAINLESS STEEL / ALUMINIUM TREADPLATE] TO [INSIDE / OUTSIDE / BOTH SIDES] AT [300MM / 800MM / 1200MM] HIGH |
| HINGES | [4 / 5] OF PARKWOOD GARRISON [LIFT OFF / NON-LIFT OFF] HINGES IN BLACK POWDERCOAT |
| DOOR FURNITURE | ENTRO CLASSROOM LOCK KIT CYL/PLAIN |
| DOOR CLOSER | ENTRO STANDARD ARM DOOR CLOSER SIZE 2-5 |
| VISION PANEL | PARKWOOD [VP5 / VP8] IN [CLEAR / TRANSLUCENT] SAFETY GLASS |

GARRISON HINGE LAYOUT

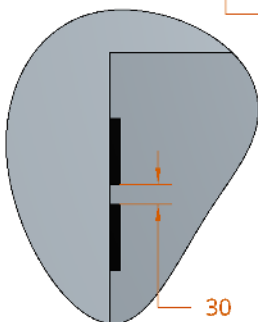
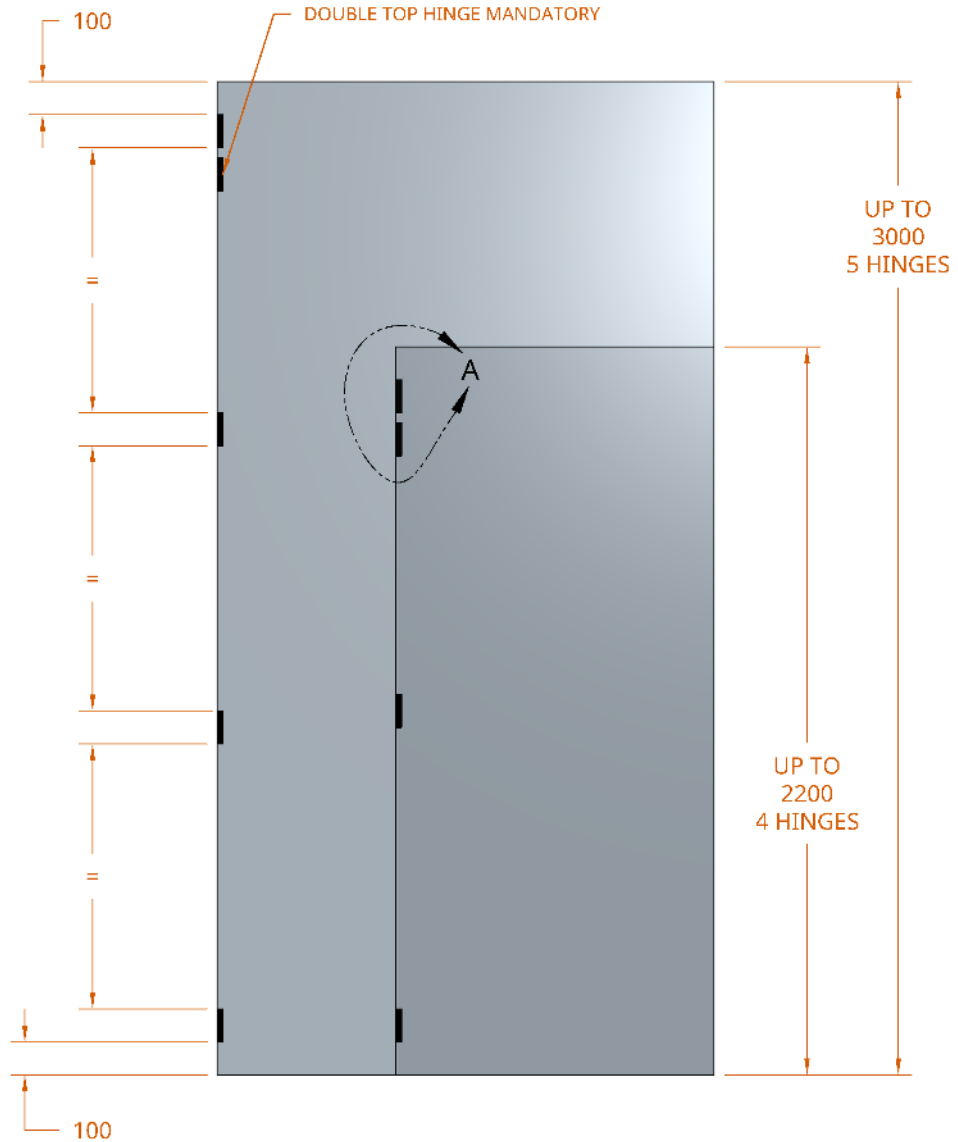
Note: double top hinge not used on lift-off door sets



PARKWOOD
COMMERCIAL

NEW ZEALAND | 0800 10 10 28
sales@parkwooddoors.co.nz
parkwooddoors.co.nz

AUSTRALIA | 1800 681 586
sales@parkwooddoors.com.au
parkwooddoors.com.au



DETAIL A

| | | |
|----------------------------------|-----------|--------|
| Product Description: | | |
| COMMERCIAL HINGE STANDARD | | |
| Product Code: | --- | Date: |
| Material: | ALUMINIUM | Units: |
| | | EACH |

© Parkwood Products Limited. Technical specifications subject to change without notice. For our full warranty details refer to our website.

DOOR PANEL OPTIONS



FL00



FL08



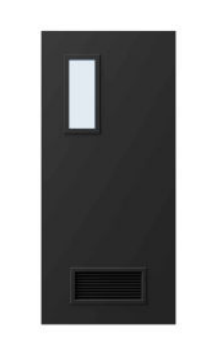
FL05



FL04



FL02



FL00



FL00



CL01



CL02

STANDARD VISION PANEL AND LOUVRE GRILLE SIZES

Louvre Grille

For doors less than 860 wide—200 x 300mm, for doors 860 or wider—200x 450mm

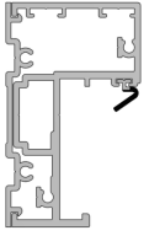
Vision Panel 5

Glass height 465mm, glass width varies with door width

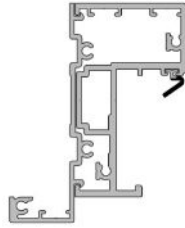
Vision Panel 8

Glass height 730mm, glass width 157mm

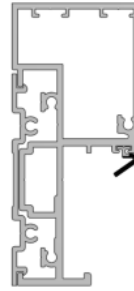
FRAME OPTIONS



Garrison 75 Box
Frame



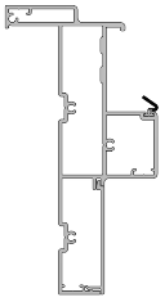
Garrison 75
Flanged Frame



Garrison 100 Box
Frame



Garrison 100
Flanged Frame



Garrison 140
Flanged Frame

Note: The Garrison 140 Flanged Frame is designed for use in precast concrete / masonry applications and has a channel for electric cable concealment with an infill strip. This enables electric strikes to be fitted and the wiring to be concealed but still accessible for future maintenance.

FRAME OPENING DIRECTIONS

Garrison 75 Box and Flanged Frame—Open In / Open Out

Garrison 100 Box Frame—Open In / Open Out

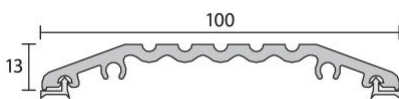
Garrison 100 Flanged Frame - Open Out Only

Garrison 140 Flanged Frame—Open Out Only

FRAME THRESHOLD OPTIONS

All frames are available as 3 sides (no threshold) or 4 sided

Alternative threshold options include:



Raven RP19

ENTRO HARDWARE OPTIONS

Note: Parkwood stock a much wider range of hardware, other options available on request.



Entro Classroom Kit
ESEBPT0121SS



Entro Door Closer
CLENPT0653SL



Entro Electric Strike
ACENPT7103



Entro Mortice Lock
LKENPT0160SS



Entro Lever w/ Ind. Release
LVENPT3910SS



Entro Lever w/ Ind. Turn
LVENPT3810SS

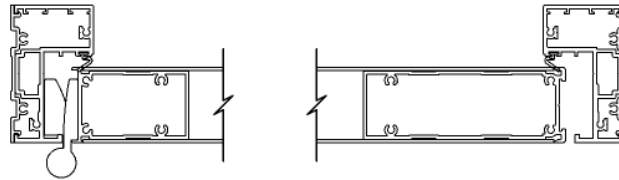




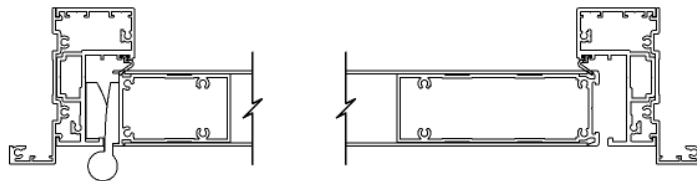
PARKWOOD
COMMERCIAL

NEW ZEALAND | 0800 10 10 28
sales@parkwooddoors.co.nz
parkwooddoors.co.nz

AUSTRALIA | 1800 681 586
sales@parkwooddoors.com.au
parkwooddoors.com.au

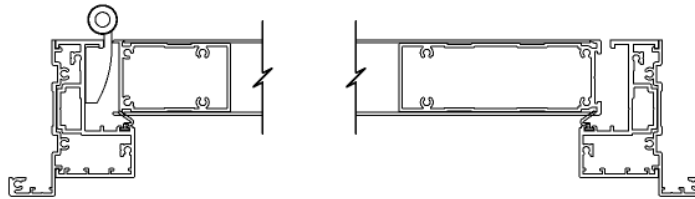


GARRISON 75 BOX - OPEN OUT / OPEN IN



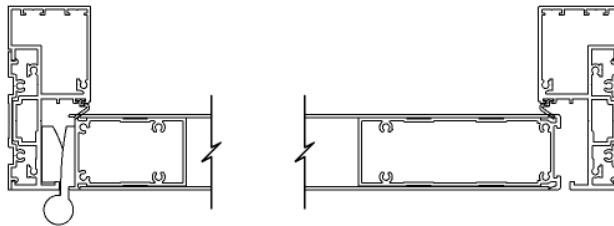
FLANGE TO OUTSIDE

GARRISON 75 FLANGED - OPEN OUT

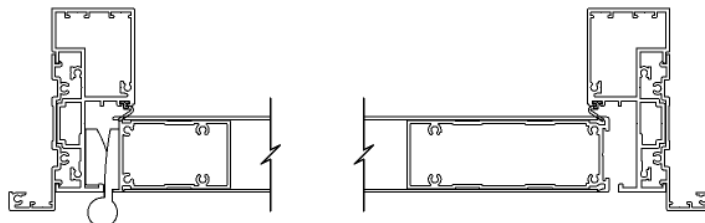


FLANGE TO OUTSIDE

GARRISON 75 FLANGED - OPEN IN



GARRISON 100 BOX - OPEN OUT / OPEN IN



FLANGE TO OUTSIDE

GARRISON 100 FLANGED - OPEN OUT

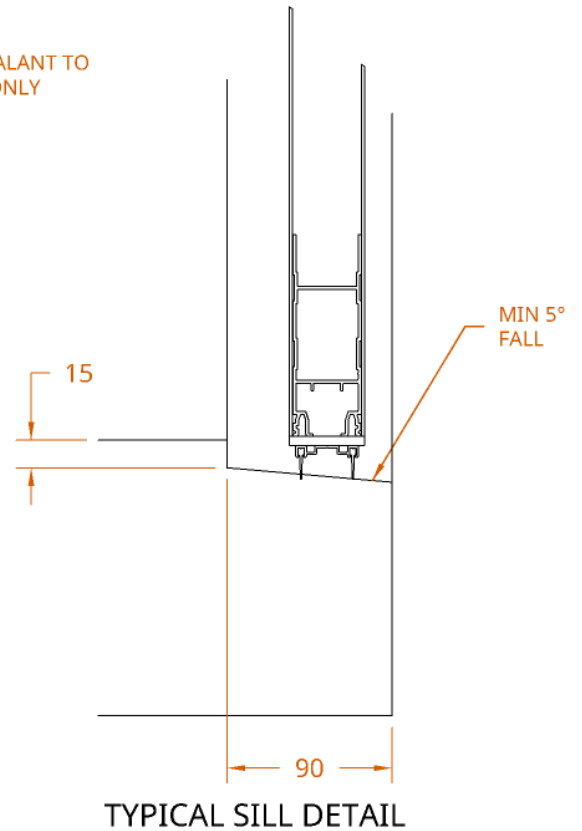
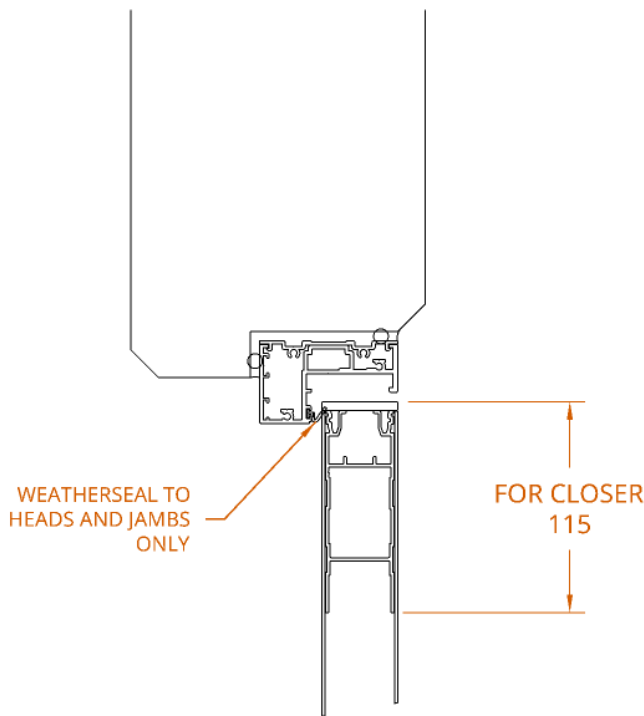
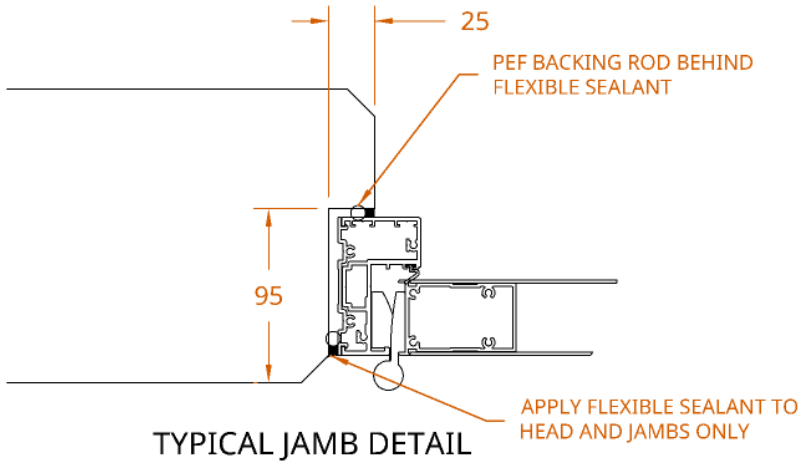
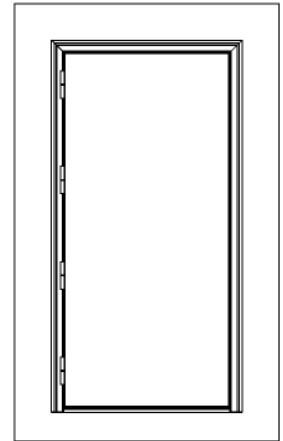
| | | | |
|----------------------------|-----------|--------|------------|
| Product Description: | | | |
| ALL GARRISON FRAMES | | | |
| Product Code: | --- | Date: | 04/15/2025 |
| Material: | ALUMINIUM | Units: | |



PARKWOOD
COMMERCIAL

NEW ZEALAND | 0800 10 10 28
sales@parkwooddoors.co.nz
parkwooddoors.co.nz

AUSTRALIA | 1800 681 586
sales@parkwooddoors.com.au
parkwooddoors.com.au



| | | | |
|----------------------------------|-----------|--------|------------|
| Product Description: | | | |
| INSTALL - GARRISON 75 BOX | | | |
| Product Code: | --- | Date: | 04/15/2025 |
| Material: | ALUMINIUM | Units: | |

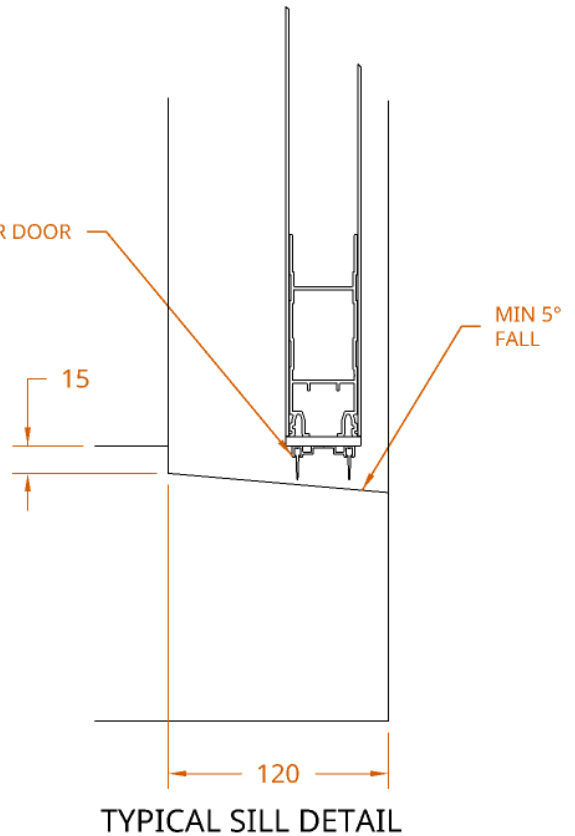
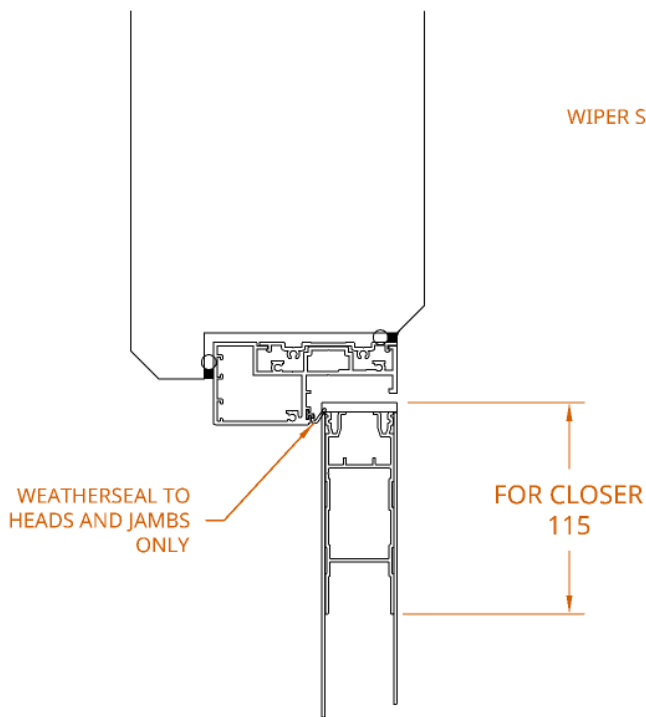
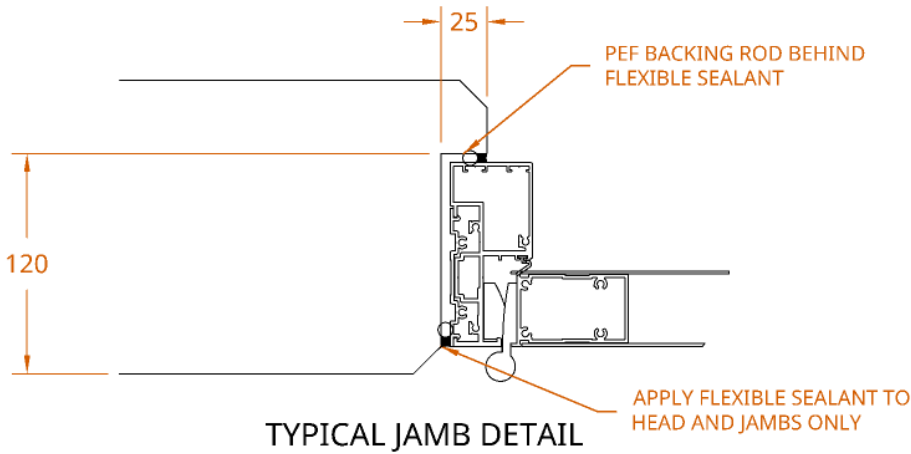
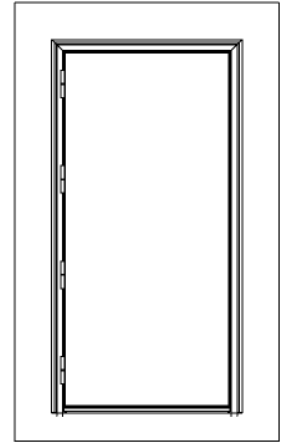
© Parkwood Products Limited. Technical specifications subject to change without notice. For our full warranty details refer to our website.



**PARKWOOD
COMMERCIAL**

NEW ZEALAND | 0800 10 10 28
sales@parkwooddoors.co.nz
parkwooddoors.co.nz

AUSTRALIA | 1800 681 586
sales@parkwooddoors.com.au
parkwooddoors.com.au



| | | |
|-----------------------------------|-----------|------------------|
| Product Description: | | |
| INSTALL - GARRISON 100 BOX | | |
| Product Code: | --- | Date: 04/15/2025 |
| Material: | ALUMINIUM | Units: |

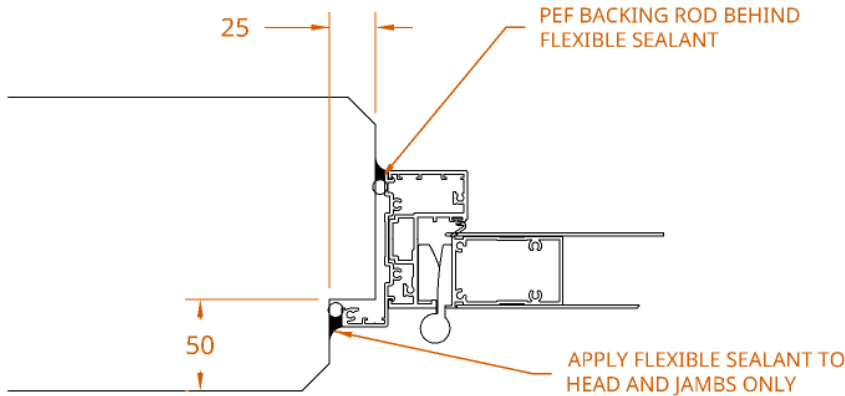
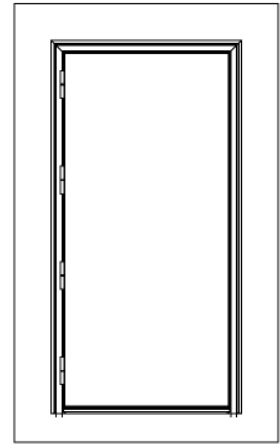
© Parkwood Products Limited. Technical specifications subject to change without notice. For our full warranty details refer to our website.



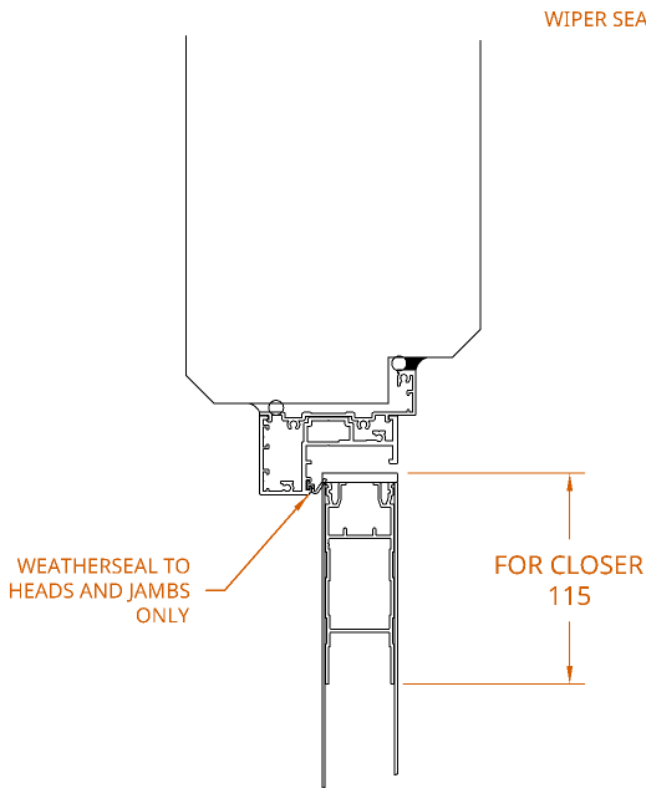
**PARKWOOD
COMMERCIAL**

NEW ZEALAND | 0800 10 10 28
sales@parkwooddoors.co.nz
parkwooddoors.co.nz

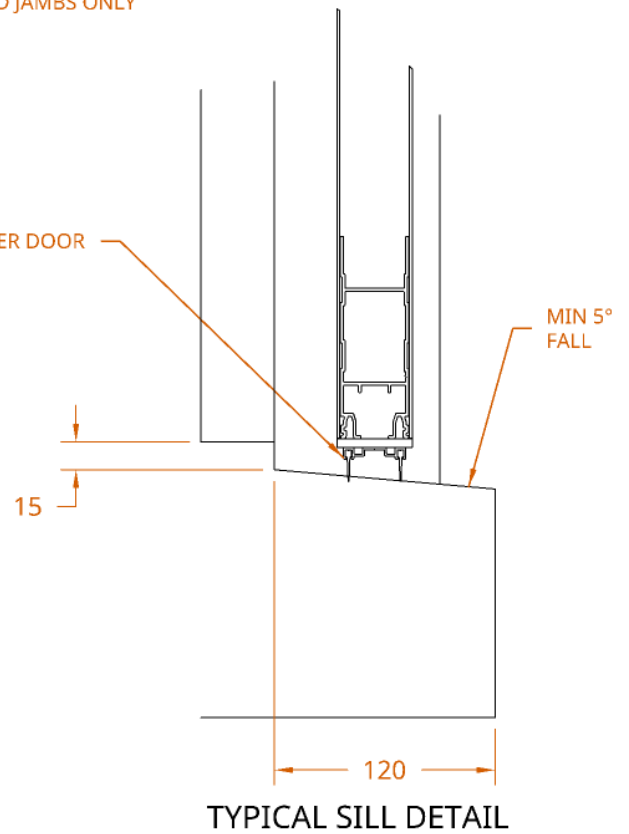
AUSTRALIA | 1800 681 586
sales@parkwooddoors.com.au
parkwooddoors.com.au



TYPICAL JAMB DETAIL



TYPICAL HEAD DETAIL



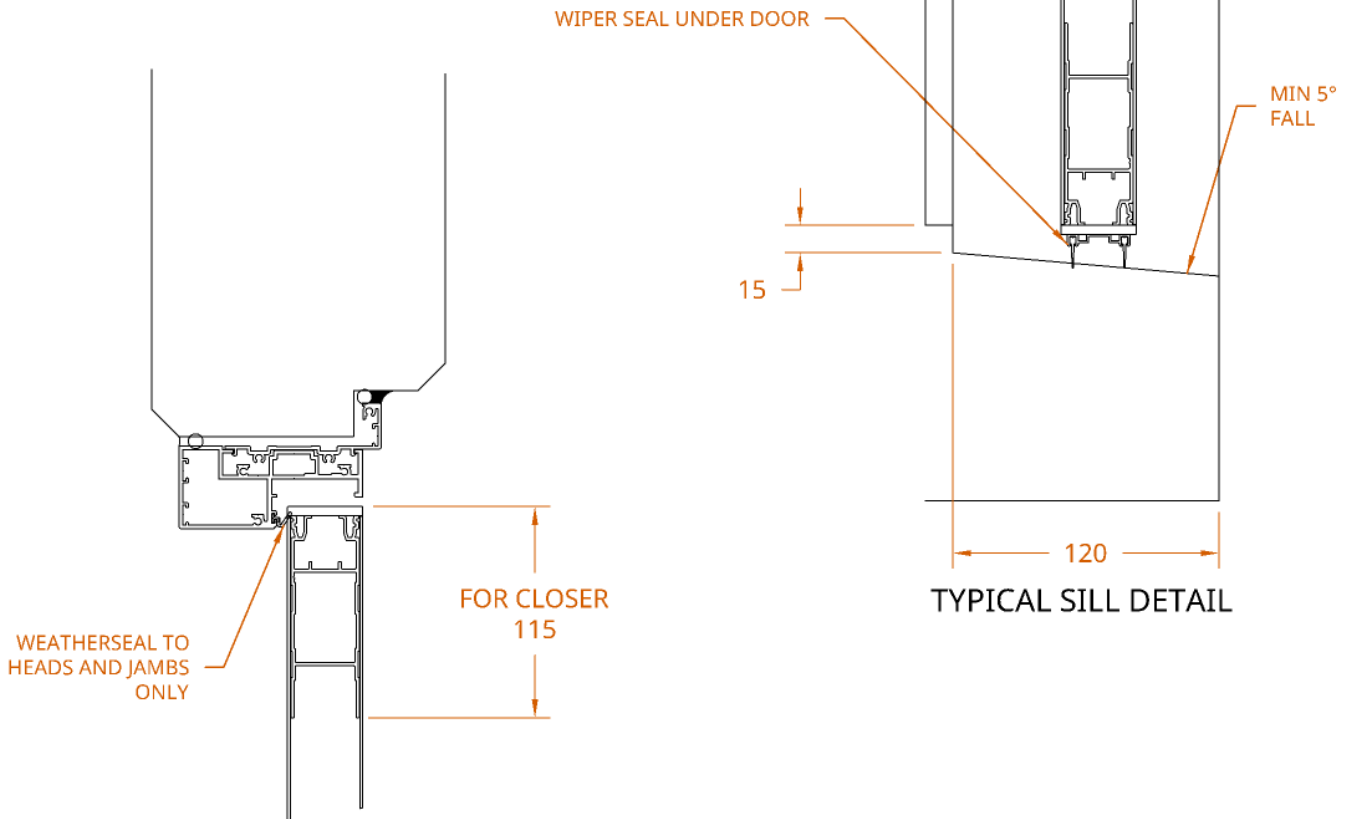
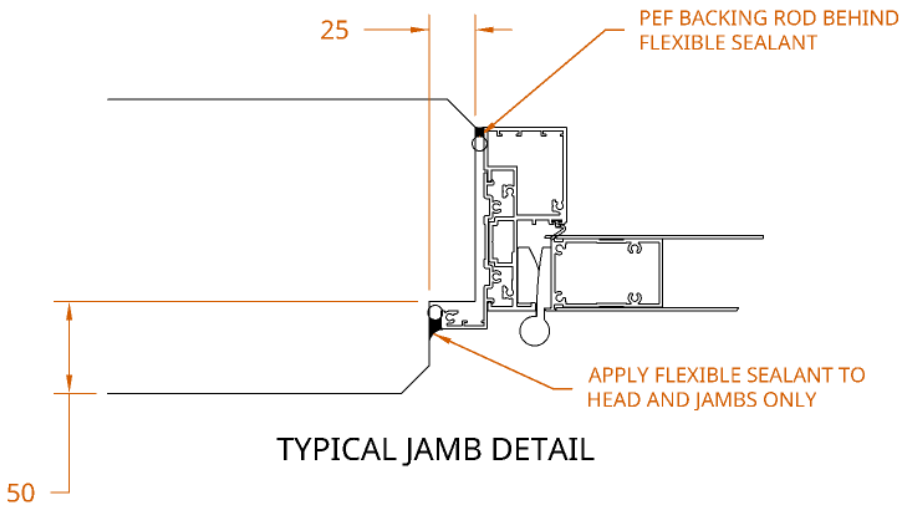
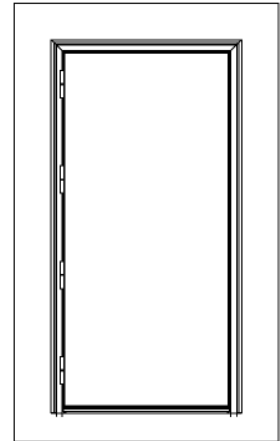
| | | | |
|--------------------------------------|-----------|--------|------------|
| Product Description: | | | |
| INSTALL - GARRISON 75 FLANGED | | | |
| Product Code: | --- | Date: | 04/15/2025 |
| Material: | ALUMINIUM | Units: | |



**PARKWOOD
COMMERCIAL**

NEW ZEALAND | 0800 10 10 28
sales@parkwooddoors.co.nz
parkwooddoors.co.nz

AUSTRALIA | 1800 681 586
sales@parkwooddoors.com.au
parkwooddoors.com.au



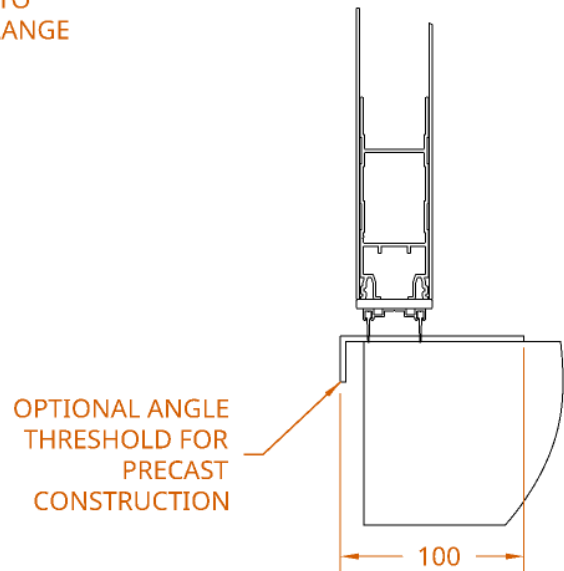
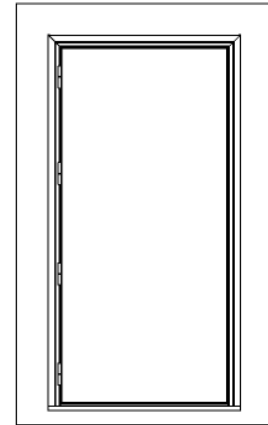
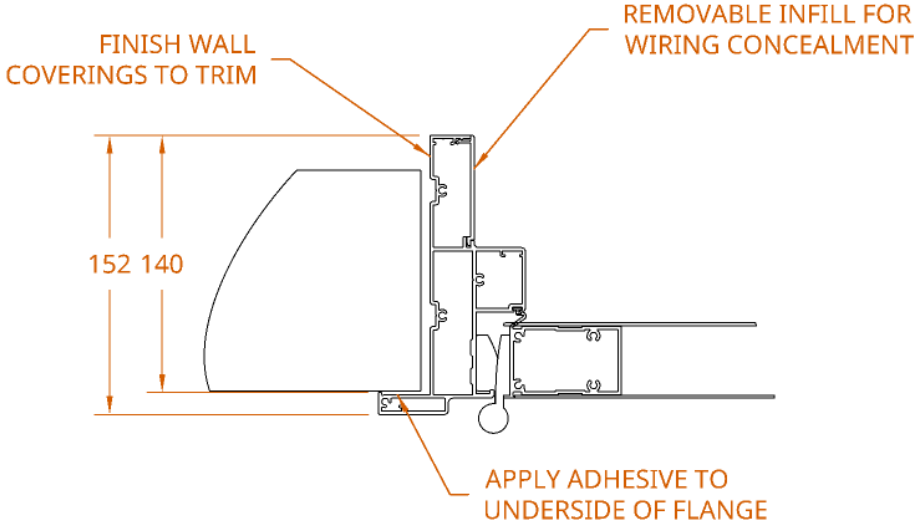
| | | |
|---------------------------------------|-----------|------------------|
| Product Description: | | |
| INSTALL - GARRISON 100 FLANGED | | |
| Product Code: | --- | Date: 04/15/2025 |
| Material: | ALUMINIUM | Units: |



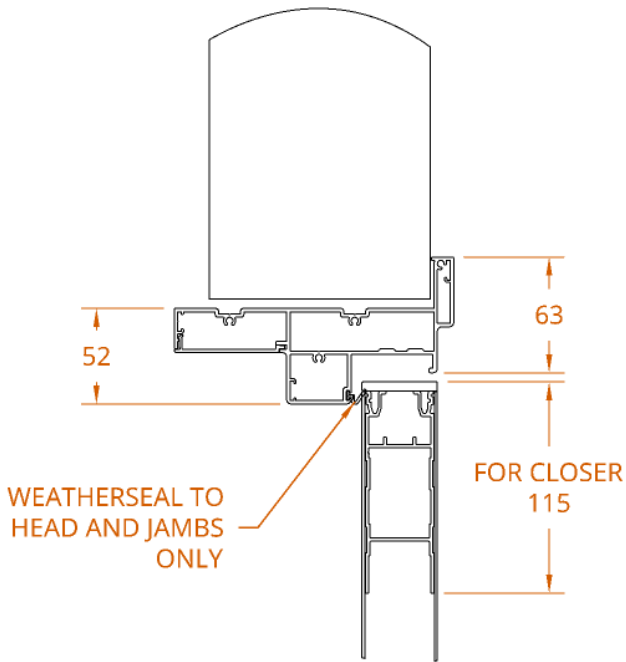
**PARKWOOD
COMMERCIAL**

NEW ZEALAND | 0800 10 10 28
sales@parkwooddoors.co.nz
parkwooddoors.co.nz

AUSTRALIA | 1800 681 586
sales@parkwooddoors.com.au
parkwooddoors.com.au



TYPICAL SILL DETAIL



TYPICAL HEAD DETAIL

| | | | |
|------------------------|-----------|--------|------------|
| Product Description: | | | |
| INSTALL - GARRISON 140 | | | |
| Product Code: | --- | Date: | 04/15/2025 |
| Material: | ALUMINIUM | Units: | |