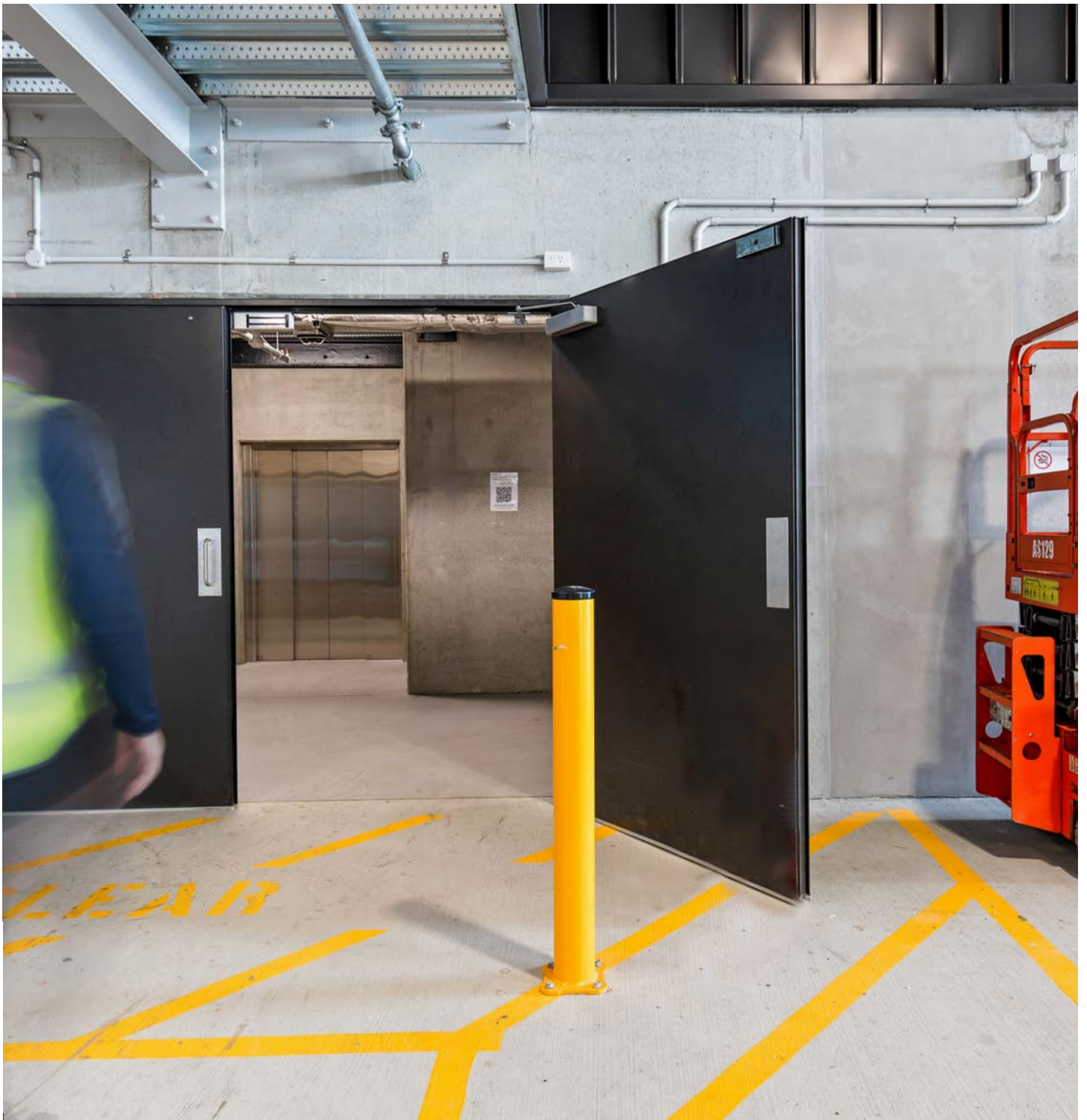




**PARKWOOD
COMMERCIAL**

COMMERCIAL DOORS

SECURITY, STRENGTH AND ENDURANCE





COMMERICAL DOORS THAT WORK HARDER FOR YOU.

At Parkwood, we use innovative technology, to ensure all our doors perform for years to come. We've specialised in constructing aluminium and composite doors that are unrivalled for strength and durability. And all our commercial doors come with a 10-year warranty.

Parkwood is a privately owned, New Zealand family business that has been manufacturing and distributing all kinds of doors, from traditional, wooden doors to the most secure commercial doors, for more than 30 years. Since we were established in 1993, the Parkwood name has become synonymous with expert craftsmanship and high-quality manufacturing.

CHOOSE PERSONNEL ACCESS AND INTERIOR COMMERCIAL DOORS DESIGNED TO DO THE JOB



ALUMINIUM FRAMES

→ Doors can be pre-hung in frames.



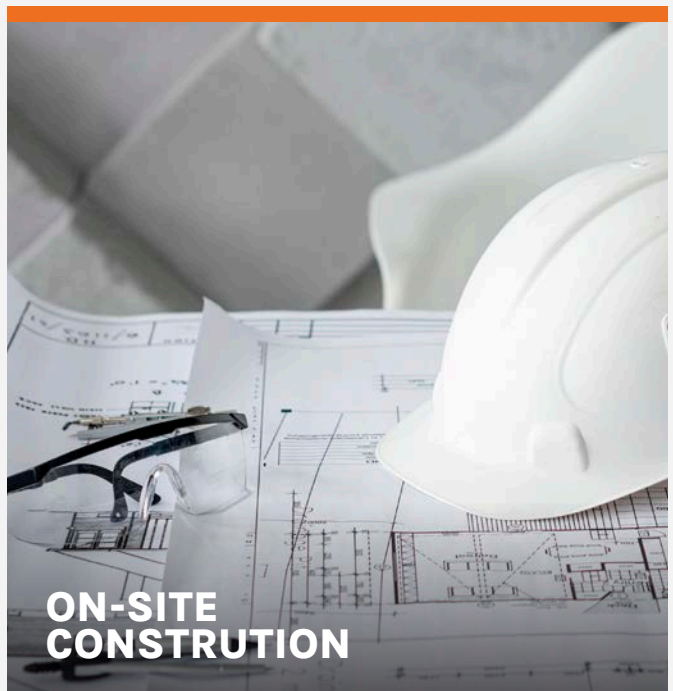
HARDWARE

→ Locks / Handles / Anti-Jemmy Strips / Seals / Closers.



ARCHITECT DOWNLOADS

→ Check the Parkwood website for downloadable Architect Specifications in our Specifier's Library, including Revit and DWG files.



ON-SITE CONSTRUCTION

→ If you have challenges, we can provide solutions, with recommendations for every situation.

View our Commercial range at parkwooddoors.co.nz/commercial



Tough enough to withstand very harsh conditions, Parkwood's aluminium exterior egress doors are built using superior material technology.

Sturdy and suitable for high-traffic areas, such as airport buildings, shopping malls, or warehouses, where high security is of the utmost importance, this versatile range can be configured for multi-purpose industry situations, incorporating vision panels and air vents.

You can't make a safer choice than a commercial door from our Garrison range.



AGFL00



AGFL02



AGFL05



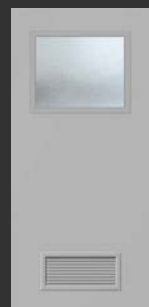
AGFL08



AGFL04



AGFL84



AGFL54



ALSTTV



AGCLO1
LOUVRE



AGCLO5
LOUVRE

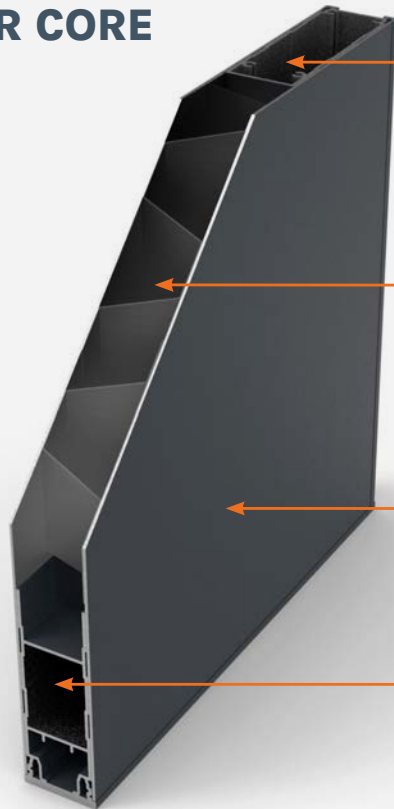


LOUVRE SCREEN



- Can be made to any size.
- Fit into a 42mm rebate frame.
- Powder coated.
- .294sm of air vent per square metre.

THE ALUMINIUM DOOR CORE

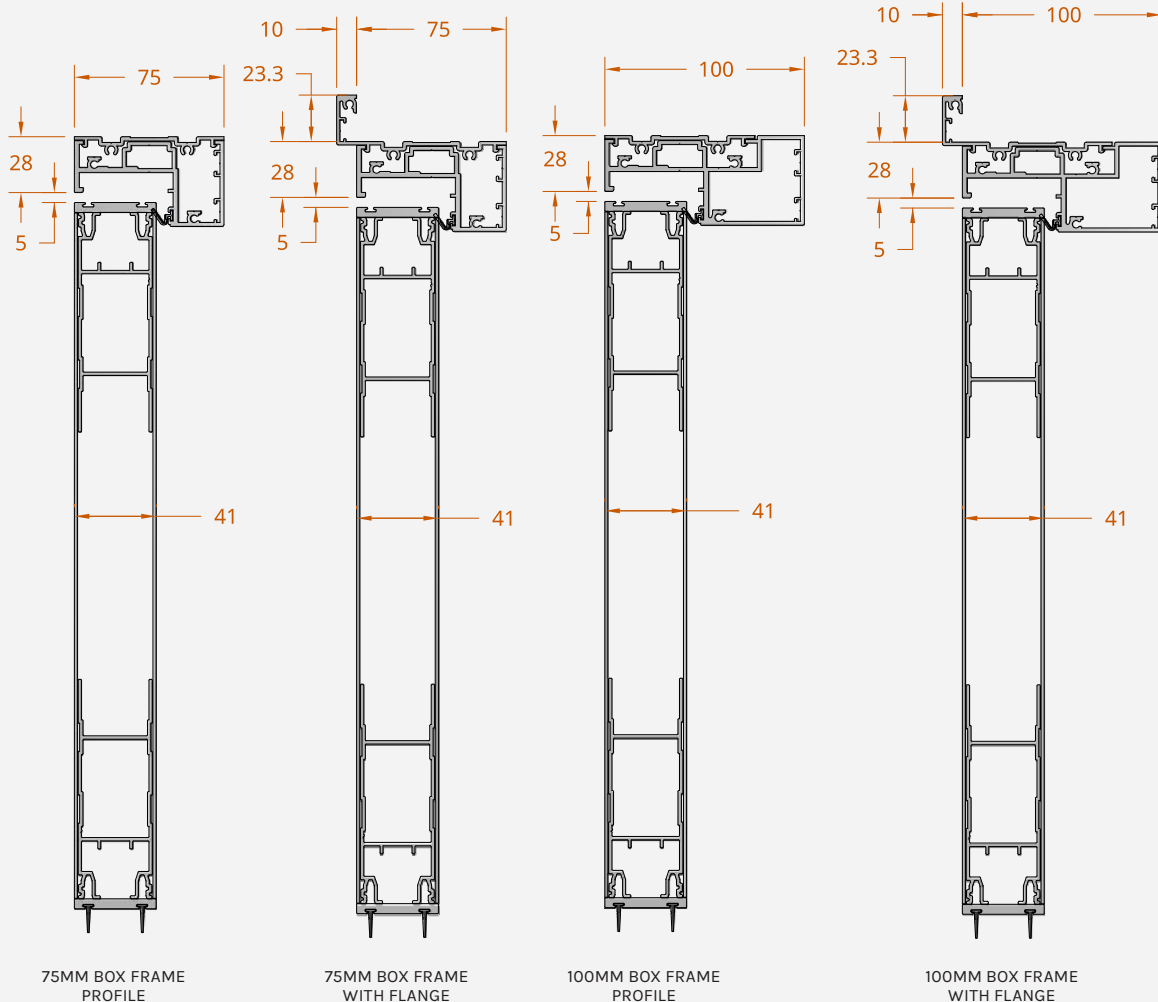


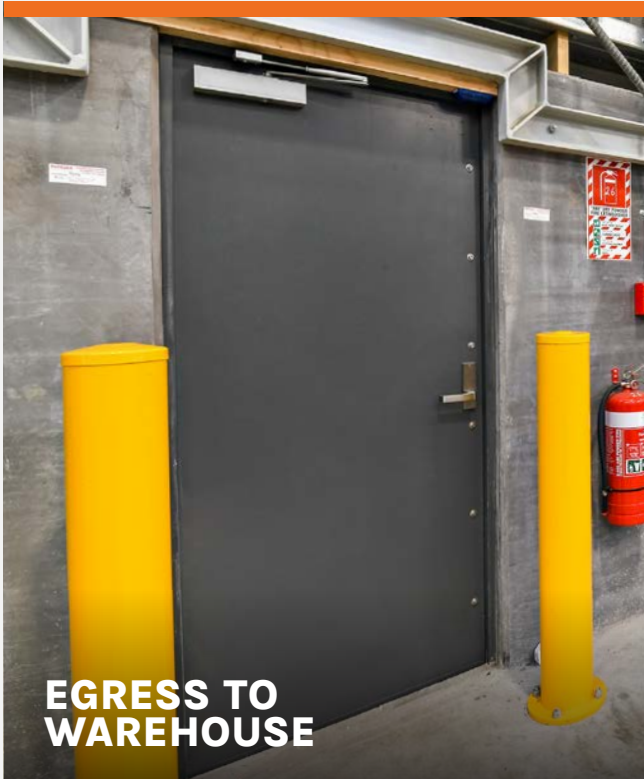
Aluminium box section down sides of door ensures it is kept straight and square.

Made from 100% aluminium with ribbed core, these doors are built for stable and strong construction. This is joined to the face with high strength resin glue to prevent delamination. It's completely free of plastic, foam, or timber, so it won't swell, twist, or rot.

Can be powder-coated to any colour for a durable finish.

Heavy duty aluminium extrusion top and bottom gives strength and fixing for door closers.





EGRESS TO WAREHOUSE

- Clean frame and door edge design with quality powdercoat finish.
- Solid internal support for door closer and panic device installation.



ENGINE AND SERVICE ROOMS

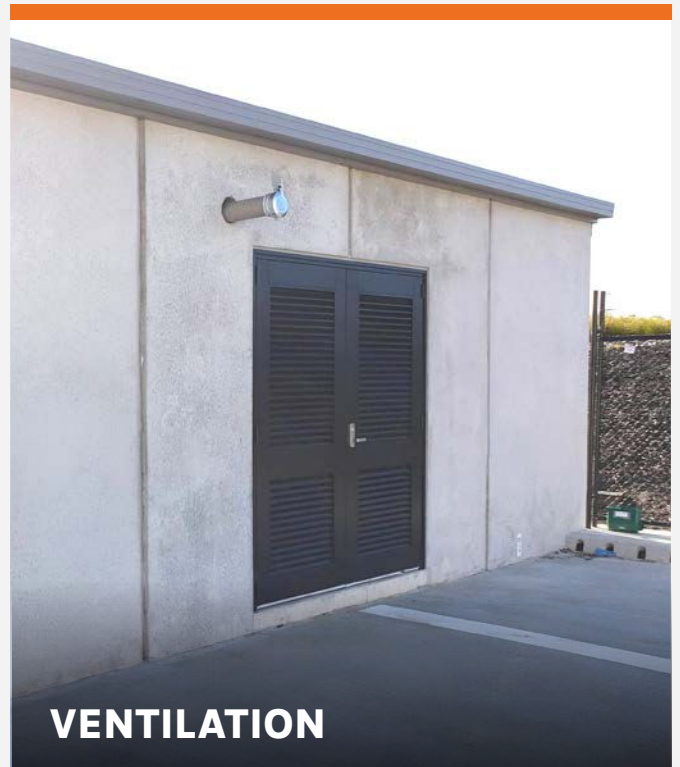
- A smart, robust design works in any industrial area.
- Twin fin weatherseal to bottom of door to prevent draughts and water penetration.

6



HIGH USAGE AREAS

- Thicker skins for durability and strong impact resistance.
- Thicker frame for wider stability and support.
- Flush edges for a smoother feel with less protrusions.



VENTILATION

- Insect mesh option to prevent pests.
- .294sm of air vent per square metre.
- Powdercoated grilles to match door for a cleaner aesthetic.

CASE STUDY

MĀNAWA BAY

Mānawa Bay is an outlet shopping centre situated in Auckland, New Zealand. It features over 100 retail outlets, dining establishments, and spacious, well-lit areas in the dining section, all housed within a 35,000m² structure designed in a figure-of-eight configuration that symbolizes the themes of flight and aviation.



Mānawa Bay incorporates more than 170 Parkwood doors and frames. A variety of Garrison egress personnel doors, as well as Resolute doors, along with Garrison 75 and Garrison 100 frames were used.



Garrison External Egress PA Doors were chosen for their enhanced security, stability, and strength. Made entirely of 100% aluminium, they outperform other PA doors made of timber or foam that may degrade over time, bow and twist in the weather, especially when painted dark colours and exposed to direct sunlight.

The matching Garrison frames are more robust, made of thicker aluminium extrusions, and available in various modular configurations. This flexibility suits various PA uses, wall types, and simplifies installation, reducing costs and resources.

Resolute Internal Utility Doors were specified at Mānawa Bay because they're the best option for wet areas and high-traffic places often found in shopping malls.

Finishes: The Garrison doors and frames come in durable Matt Ironsand and Matt Sandstone Grey powder coat finishes with excellent colour-retention warranties.

RESOLUTE

COMMERCIAL DOORS

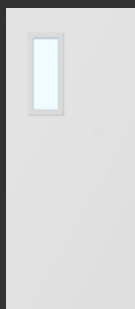
Made for shopping malls, fast-food, wet and high-traffic areas, these composite doors are constructed of glass reinforced polymer, with no exposed timber.

That means they're built to resist bowing, twisting, delaminating and swelling, with superior strength and excellent hygiene properties.

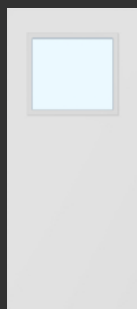
Available in a paint or High Pressure Laminate (HPL) finish.



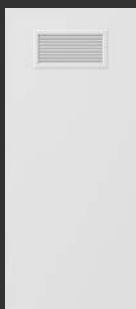
FRFL00



FRFL08



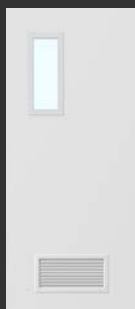
FRFL05



FRFL02



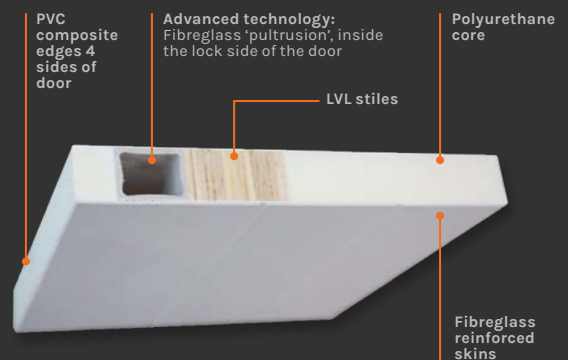
FRFL04



FRFL84



FRFL84



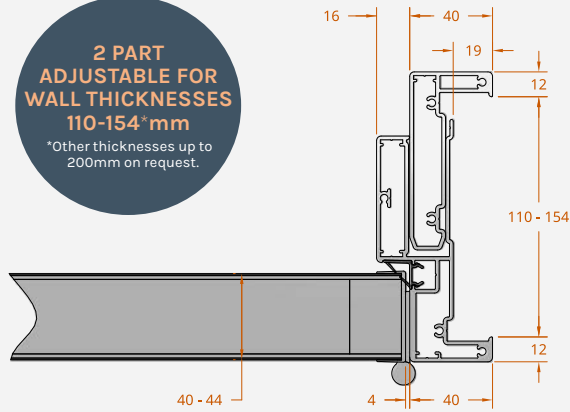
- LVL stiles and rails for superior stability – no warping, bowing, delaminating or swelling.
- High-impact fibreglass skin that can be painted or finished in HPL.
- Clean & tidy – solid PVC composite edges can be trimmed or rebated just like timber.
- Polyurethane foam-engineered core for high insulation.
- Moisture proof skin.



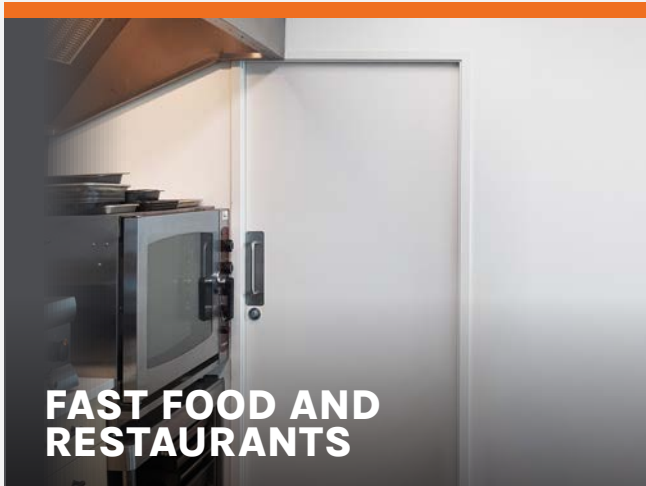
RESOLUTE ALUMINIUM ADJUSTABLE INTERIOR FRAME

- Heavy duty & durable jamb.
- Powder coated.
- Concealed fixings.
- Easy & fast installation.

2 PART ADJUSTABLE FOR WALL THICKNESSES 110-154*mm
 *Other thicknesses up to 200mm on request.



PERFECT SOLUTIONS FOR:



FAST FOOD AND RESTAURANTS

- Laminated veneer lumber (LVL) internal stiles for superior stability and highly durable under constant duress.
- Paintable surface is easy to repair after constant use.



WET AREAS AND HYGIENE

- Moisture proof skin and composite 4-sided PVC edge prevent water absorption.
- No swelling, delaminating, bubbling or warping.
- Fibreglass skin is resistant to chemicals.



SCHOOLS

- High impact fibreglass skin.
- the strength of a solid core door with the weight of a hollowcore door.



SHOPPING MALLS

- Fibreglass skins prevent rapid wear and tear with high usage.
- Can be hinged or sliding, while being able to take most hardware types.

FORTRESS

STEEL DOORS

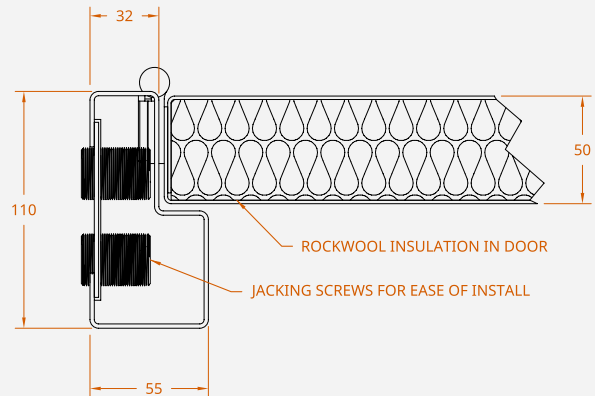
The Fortress doorset is suitable for warehouses, high-security and public areas. They are made from galvanised steel, which is powder coated to ensure corrosion resistance and durability.

Fortress frames can come in are folded to suit your wall type and thickness, allowing for various wall constructions, from steel-clad sheds to precast concrete applications.

Further customisation options include powder coat colours, hardware, vision, and louvre panels.



→ Heavy duty door has 1.6mm thick skin and 2.0mm thick frame.



SSFL00



SSFL84



SSFL54



SSFL02



SSFL04



SSFL05



SSFL08



HARDWARE

Parkwood take care to supply quality commercial hardware. Our doors have many design features that are now made to suit specific hardware, or the product is designed in a way that certain hardware items aren't required. Parkwood excels in providing the best range of hardware for any project, saving time and money. We offer a full range using all the main brands, including Entro, Legge, Briton, Dormakaba and Lockwood.



LOCKS & LATCHES



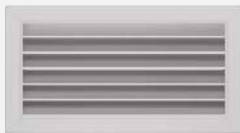
DOOR CONTROLS



PULL HANDLES & KICK PLATES



DOOR SEALS



GENERAL HARDWARE



WASHROOM & SIGNAGE





PARKWOOD
COMMERCIAL

NEW ZEALAND | 0800 10 10 28
sales@parkwooddoors.co.nz
parkwooddoors.co.nz

AUSTRALIA | 1800 681 586
sales@parkwooddoors.com.au
parkwooddoors.com.au

10401AUG25