



INTRODUCING

ADJUSTABLE INTERIOR FRAME

FOR HIGH-USAGE COMMERCIAL APPLICATIONS



PARKWOOD'S RESOLUTE HIGH- USAGE, WET AREA DOORS ARE NOW AVAILABLE IN AN ADJUSTABLE ALUMINIUM JAMB.

This jamb is an all-in-one framing system that will cover-off almost any interior wall and associated range of linings and finishings found in commercial applications.

Designed to look and feel like traditional timber jambs, but is far more hard-wearing.

No sharp protrusions or edges like conventional aluminium partition systems.

More sturdy to withstand the rigours of extensive use.

Quality Result

This aluminium jamb is finished in a powder coat colour of your choice, which is far more durable than a standard paint finish, and means there are no wet-trades/painting required on site. Concealed fixings result in a premium quality finish.

Faster, Easier Installation

The 2-piece jamb system is fast and easy to install on site, with only two primary components that slot together. Fitting, nailing, filling and painting architraves is not required. The jamb width can adjust as it is fitted on-site, unlike fixed steel or timber jambs.

The aluminium return, or 'architrave' that forms part of the jamb acts as a finishing edge for most surface linings, such as acoustic liners or tiles.



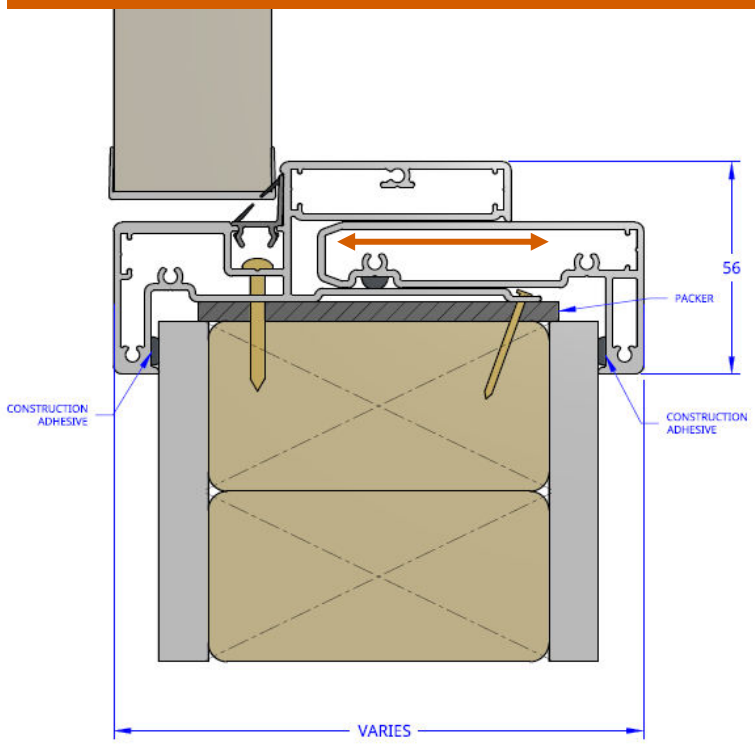
Stop, jamb & architrave as 1 piece



Inside jamb showing rivet nut fixings



Cross section of 2 parts fitted together



Frame install diagram

- Ultra robust interior door frame.
- Easy and fast install.
- Can accept different wall thicknesses.
- No finishing of frame required.
- Hardwearing door surface with an optional aluminium edge capping.
- For high usage commercial applications:
 - Restaurant / fast food industry
 - Shopping malls
 - Healthcare
 - Service stations
 - Public rest rooms / toilet block
 - Schools
 - Changing rooms
 - Amenities
 - Other wet areas



ULTRA FAST INSTALL
 From rough opening
 to FINISHED
 DOORSET in less
 than 20 minutes!

Scan QR code to
 watch video



The Details

- Suitable for any wall thickness 110 to 154mm.
- Wall thickness 155 to 200mm available on request.
- Heavy duty 304SS ball bearing hinges, riveted to frame for anti-vandalism and strength.
- Fully powder coated.
- Integral architraves built into jamb - no finishing, trims or architraves required once frame is installed.
- Fixings concealed by infill strip.
- Draught seals to frame jambs and head.
- Door comes pre hung, with lock and hinges fitted - no cutting, machining or drilling on site.
- Holes for fixing pre drilled.

Resolute PA Door

- Waterproof, very stable door substrate.
- Dent resistant faces.

HPL Finish Resolute Doorset

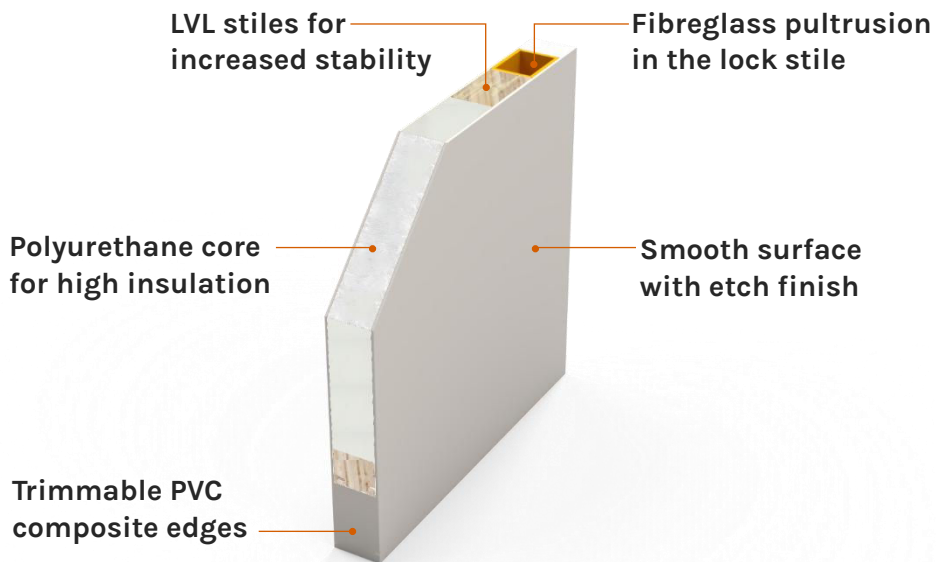
- Hardwearing High-Pressure Laminate (HPL) facing available in a range of colours. Other colours available on request.



- Elegant aluminium edge to door stiles, to protect door edge and coating from damage. Powder coated to match frame.



Resolute Door Construction



NEW ZEALAND | 0800 10 10 28
sales@parkwooddoors.co.nz
parkwooddoors.co.nz

AUSTRALIA | 1800 681 586
sales@parkwooddoors.com.au
parkwooddoors.com.au