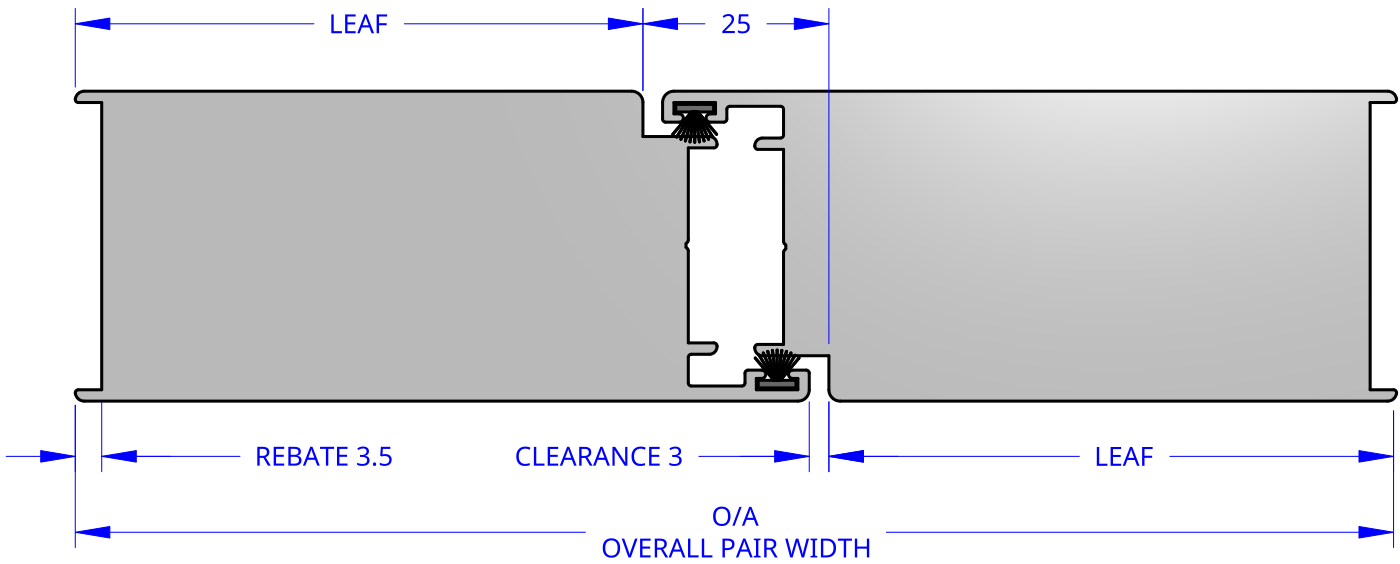




**NEW ZEALAND** | 0800 10 10 28  
 sales@parkwooddoors.co.nz  
 parkwooddoors.co.nz

**AUSTRALIA** | 1800 681 586  
 sales@parkwooddoors.com.au  
 parkwooddoors.com.au

### ALL REBATED PAIRS



**LEAF = (O/A - 25mm) x 0.5    OR    O/A = (LEAF x 2) + 25mm**

EXAMPLE: (860 LEAF x 2) + 25 = 1745 O/A    OR    EXAMPLE: (1745 O/A - 25) x 0.5 = 860 LEAF

Product Description:			
<b>REBATED PAIR CALCULATION</b>			
Product Code:		Date:	06/30/2025
Material:		Units:	