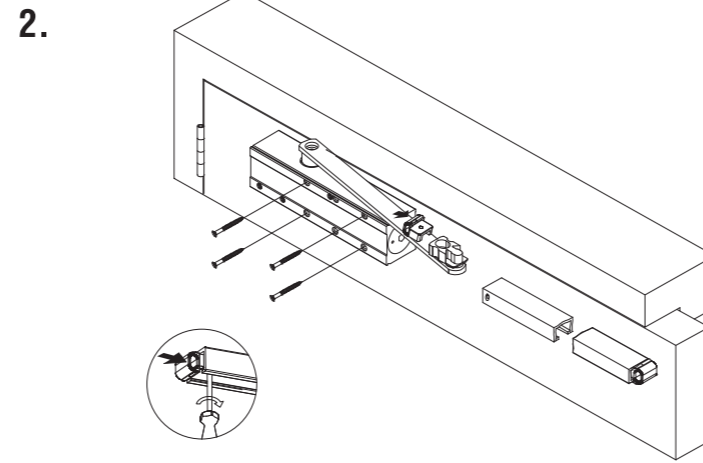
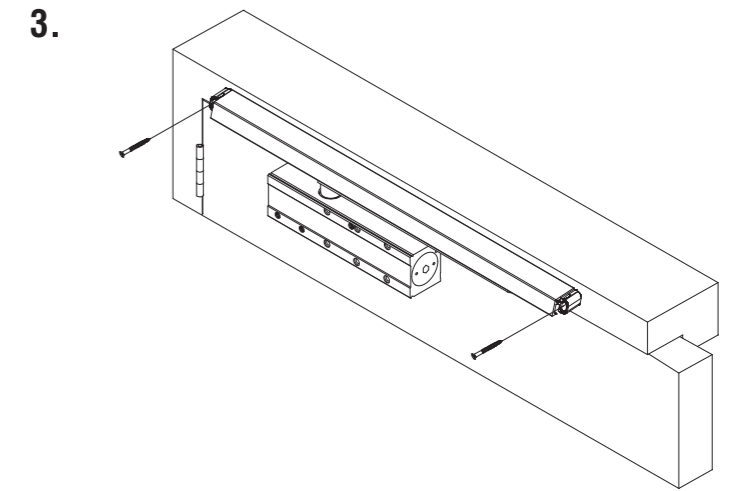


1. Prepare fixing holes in door and frame (use template provided)

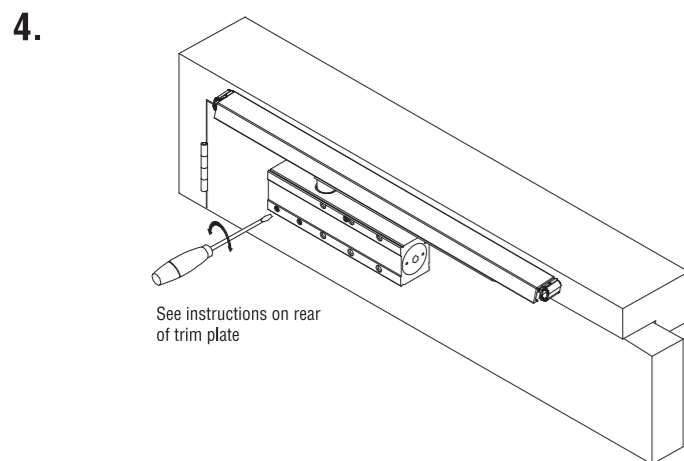
2. Assemble arm to body at 22.5° to back face. Secure arm and rail foot with bolts provided.



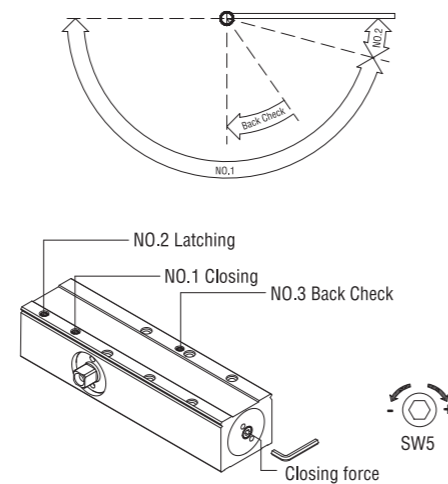
3. Fix body to door (4 screws provided). Insert rail foot into slide rail track and fit end cap.



4. Position slide rail track and arm against frame and secure in position (2 screws provided).

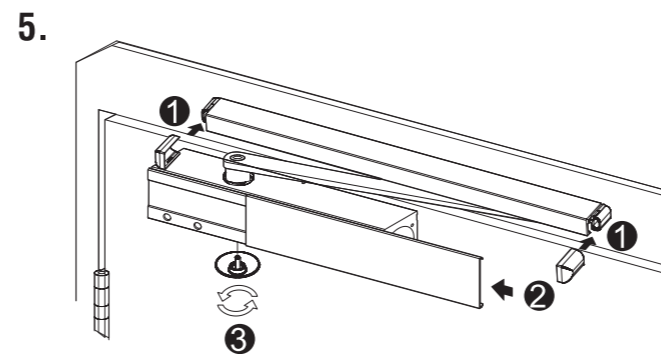


See instructions on rear of trim plate

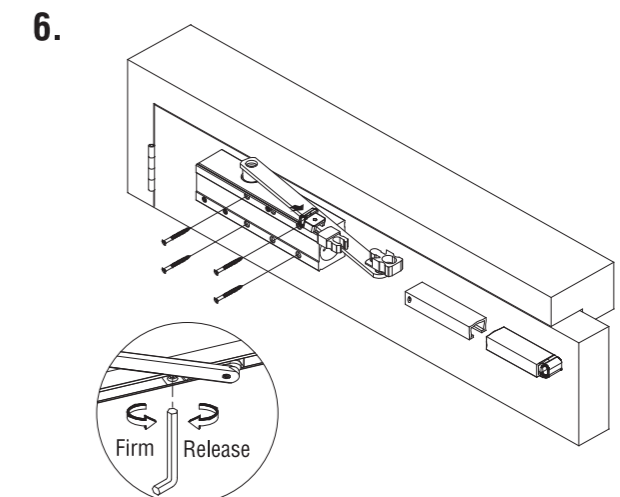


5. Adjust to a MAXIMUM of 2 TURNS.

Over adjustment will affect the performance of the closer. In such instance our Guarantee becomes VOID.



6. Insert trim plate and lower spindle cover.



7. Hold open device is optional. To set the hold angle, move hold open device to the required position and firmly tighten screw.

Power Size	Max. door width	Max. door weight	Max. opening angle	Number of turns
Size 1	750mm	20kg	180°	8ccw
Size 2	850mm	40kg	180°	4ccw
Size 3	950mm	60kg	180°	0
Size 4	1100mm	80kg	180°	7cw

⊕ FACTORY PRE-SET

IMPORTANT INSTALLATION NOTES:



AFTER INSTALLATION, PLEASE CHECK AND TEST:

1. Open the door leaf to its maximum opening angle and release. The door leaf should close fully into the door frame and overcome the latch.
2. Open the door leaf and rest the latch bolt on the striker plate. Once door leaf is released, the door closer should have sufficient power to latch the door leaf closed.
3. Back-check provides a cushioning effect when the door is forcibly thrown open but does not serve as substitute for a door stop.



WARNING:

1. Door closer power sizes 1&2 are NOT considered suitable for use fire/smoke door assemblies. Therefore, the minimum spring strength allowed for fire/smoke door assemblies is spring strength 3.
2. Mechanical hold open devices must NOT be installed on fire/smoke doors.
3. Door closer should NOT be opened beyond the max. Opening angle of the power size you selected.
4. This door closer contains a powerful spring which is inserted into the body under pressure. Under NO circumstances should you attempt to dismantle the door closer.



MAINTENANCE:

1. Check the door closer every three months to ensure all fixings are secure. If necessary, adjust the closing and latching speed. Ensure the door operates both functionally and smoothly, in accordance with the expectations of EN 1154:1997.
2. Apply lubrication to arm knuckle joint and door hinges as required.