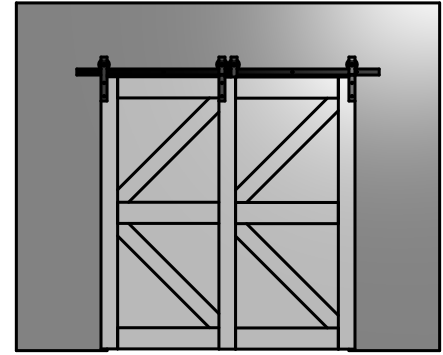




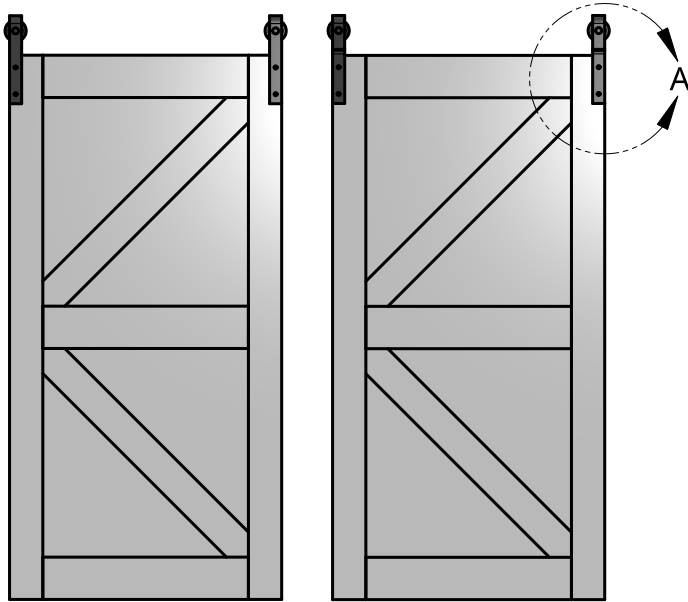
**NEW ZEALAND** | 0800 10 10 28  
 sales@parkwooddoors.co.nz  
 parkwooddoors.co.nz

**AUSTRALIA** | 1800 681 586  
 sales@parkwooddoors.com.au  
 parkwooddoors.com.au



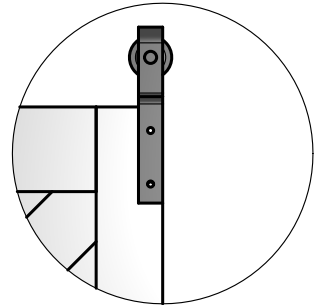
**NOTES**

OPENING WIDTH MUST BE 2 X DOOR WIDTH LESS 120MM OR LESS  
 SET RAIL STOPS TO PREVENT ROLLERS CONTACTING IN CENTER



**1. ATTACH HANGERS**

DRILL HOLES FOR HANGERS,  
 POSITIONING ON EDGE OF DOOR  
 REPEAT FOR BYPASS DOOR



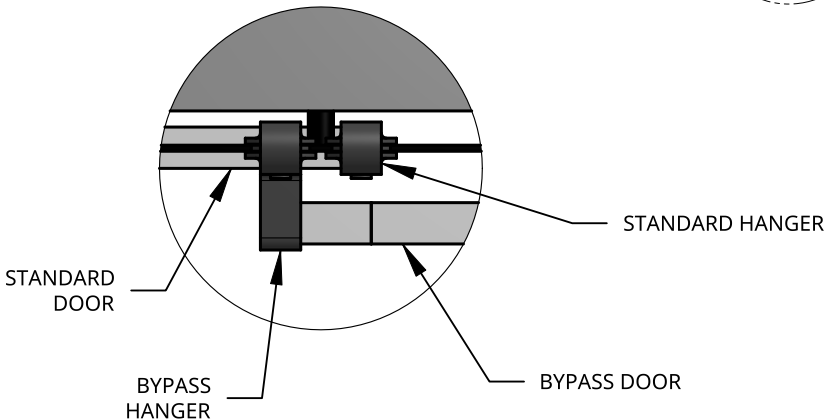
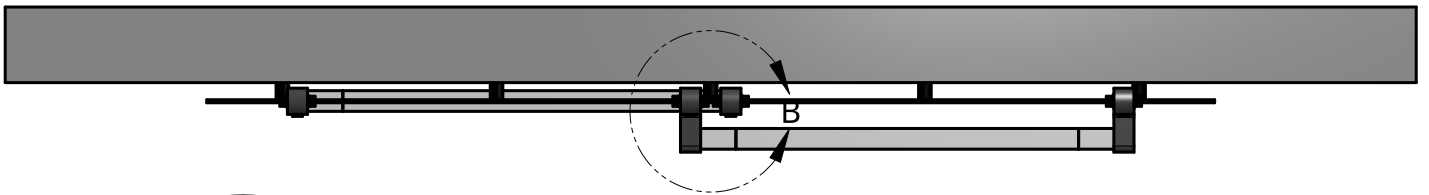
**2. INSTALL TRACK**

INSTALL TRACK USING OUR BARN DOOR 'TRACK INSTALLATION' GUIDE

THIS CAN BE FOUND ON OUR WEBSITE  
[www.parkwooddoors.co.nz](http://www.parkwooddoors.co.nz) or [www.parkwooddoors.com.au](http://www.parkwooddoors.com.au)

**3. HANG DOORS**

ENSURE THAT TRACK ROLLERS OVERLAP.



Product Description:			
<b>BYPASS BARN DOOR HANGERS</b>			
Product Code:	HABARNBYRBK	Date:	07/30/2023
Material:		Units:	EACH