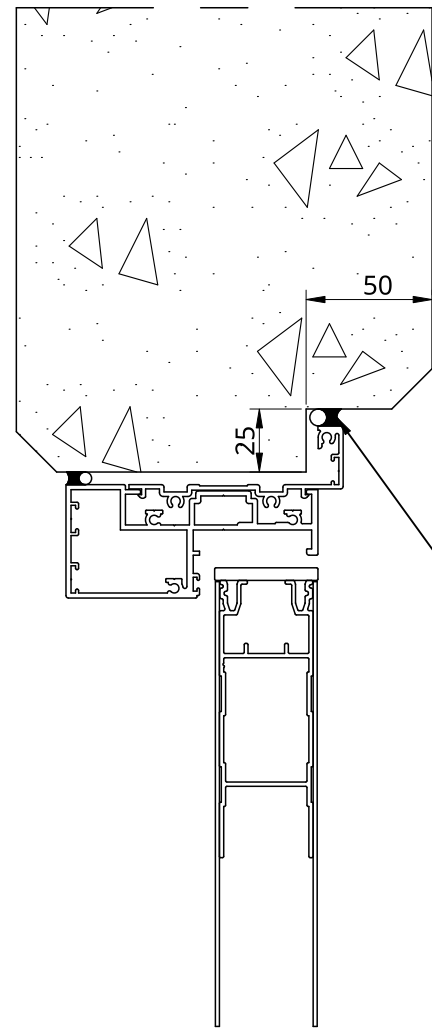




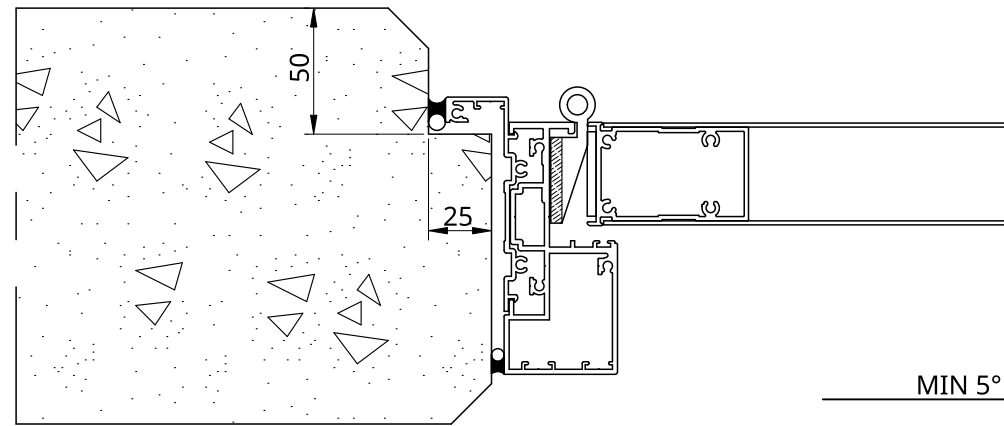
NEW ZEALAND | 0800 10 10 28
 sales@parkwooddoors.co.nz
 parkwooddoors.co.nz

AUSTRALIA | 1800 681 586
 sales@parkwooddoors.com.au
 parkwooddoors.com.au

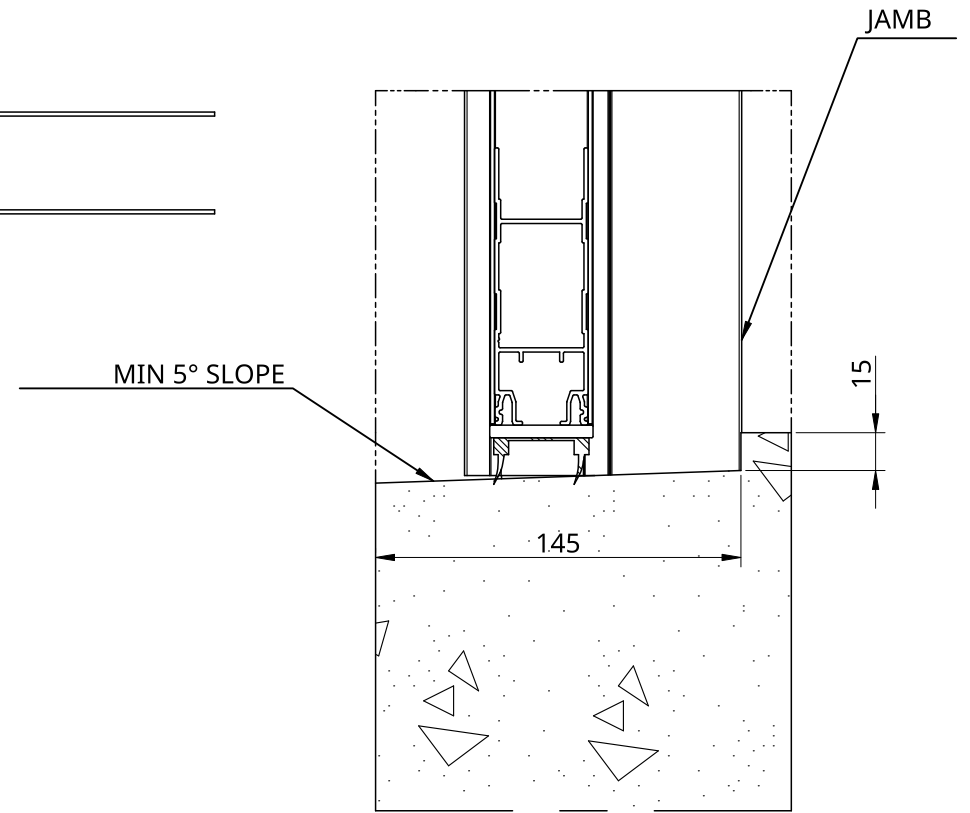


TYPICAL HEAD DETAIL
1:3

APPLY FLEXIBLE SEALANT
TO HEAD AND JAMBS ONLY



TYPICAL JAMB DETAIL
1:3



TYPICAL SILL DETAIL
1:3

INSTALLATION DETAILS

SERIES	GARRISON	DRAWN	PARKWOOD
FRAME	100 FLANGE	DATE	25/01/2023
PANEL	GARRISON FL	SIZE	A3