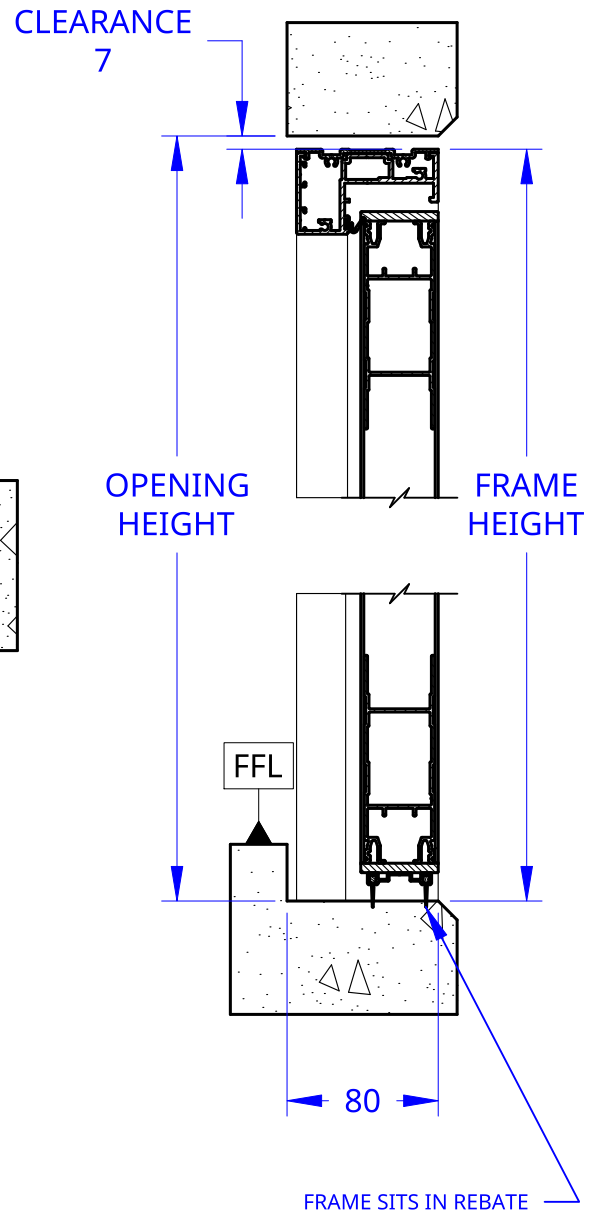
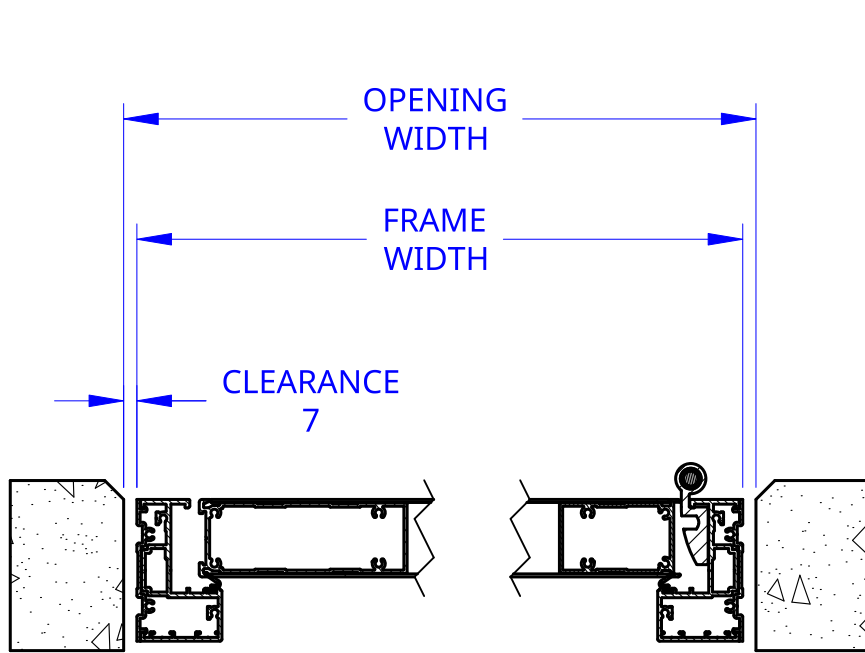




NEW ZEALAND | 0800 10 10 28
 sales@parkwooddoors.co.nz
 parkwooddoors.co.nz

AUSTRALIA | 1800 681 586
 sales@parkwooddoors.com.au
 parkwooddoors.com.au



CONFIGURATION

JOB:	
TYPE	SINGLE / PAIR
LEAD DOOR (FROM EXTERIOR)	LH / RH
OPENING DIRECTION	OPEN IN / OPEN OUT
OPENING HEIGHT	mm
OPENING WIDTH	mm
HEIGHT TO HANDLE	990 mm
HANDLE MACHINING	
HANDLE SUPPLY	
CLOSER	
COLOUR	
OTHER	

Product Description:			
GARRISON 75 BOX			
Product Code:	JGSD01	Date:	02/13/2025
Material:	ALUMINIUM	Units:	