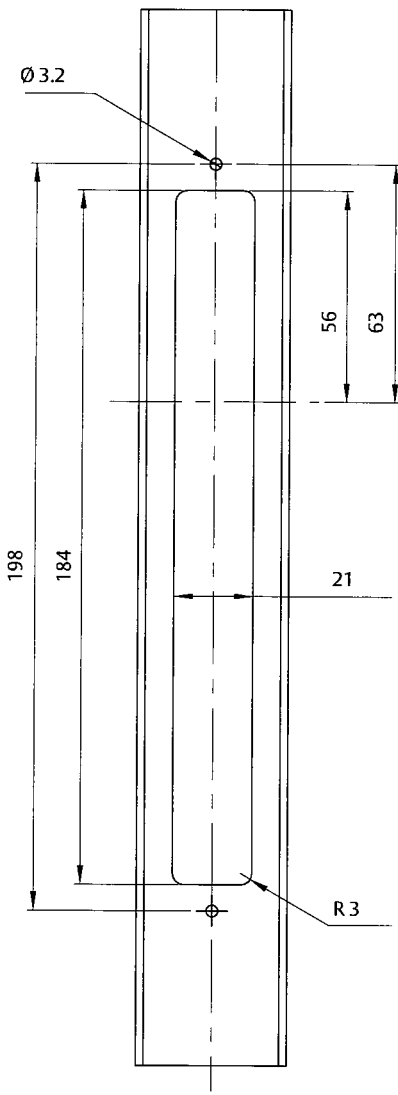
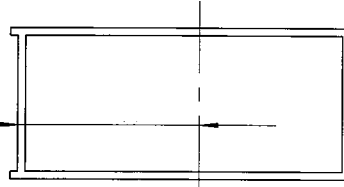


50mm Backset Routing is 48mm from Face

TOP VIEW OF STILE



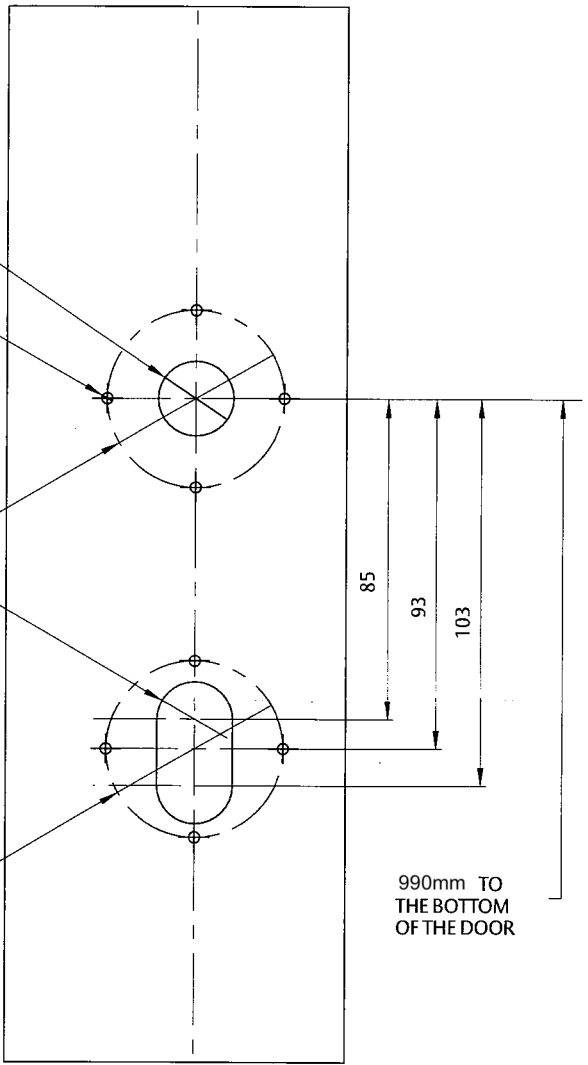
FRONT VIEW OF STILE

Ø 20
Ø 2.9*
*FOR ALUMINIUM
DOORS ONLY

Ø 47 PCD

Ø 20

Ø 47 PCD



SIDE VIEW OF STILE